



CAR FILLING



FUEL MANAGEMENT SYSTEMS



KITS



PUMPS



METERS



METERED NOZZLES

PIUSI HAND PUMP

FEATURES

- STURDY CONNECTOR
- HEAVY DUTY LEVER
- HIGH EFFICIENCY
- ADJUSTABLE SUCTION PIPE
- SELECTED MATERIALS
- BUILT-IN NON RETURN VALVE

The PIUSI HAND PUMP is a rotary vane pump suitable for transferring AdBlue®. Entirely designed, manufactured and certified in Italy, this sturdy pump guarantees a professional performance and it is indicated for all drum applications.

PERFORMANCE

UP TO

38 L

PER 100 REV.

FLOW RATE



PIUSI HAND PUMP



PACKAGING

CODE	WEIGHT		PACKAGING		N. BOXES/EUROPALLET	
	KG	LBS	MM	PCS/BOX		

WITHOUT HOSE

FO0332A0A	2,1	4,6	350X170X140	1	50	100
FO0332A1A	2,1	4,6	350X170X140	1	50	100
FO0332A4A	2,1	4,6	350X170X140	1	50	100
FO0332A6A	2,1	4,6	350X170X140	1	50	100

WITH HOSE

FO0332A2A	3,2	7	300X300X180	1	50	100
FO0332A8A	3,2	7	300X300X180	1	50	100
FO0332A5A	3,2	7	300X300X180	1	50	100
FO0332A7A	3,2	7	300X300X180	1	50	100
FO0332A9A	3,2	7	300X300X180	1	50	100



NOZZLES



FILTRATION



TANK MONITORING



HOSE REEL



ACCESSORIES



MERCHANDISE

INDEX



AIR



ANTIFREEZE



AdBlue®



BIODIESEL



DIESEL



FOOD



GASOLINE



GREASE



KEROSENE



OIL

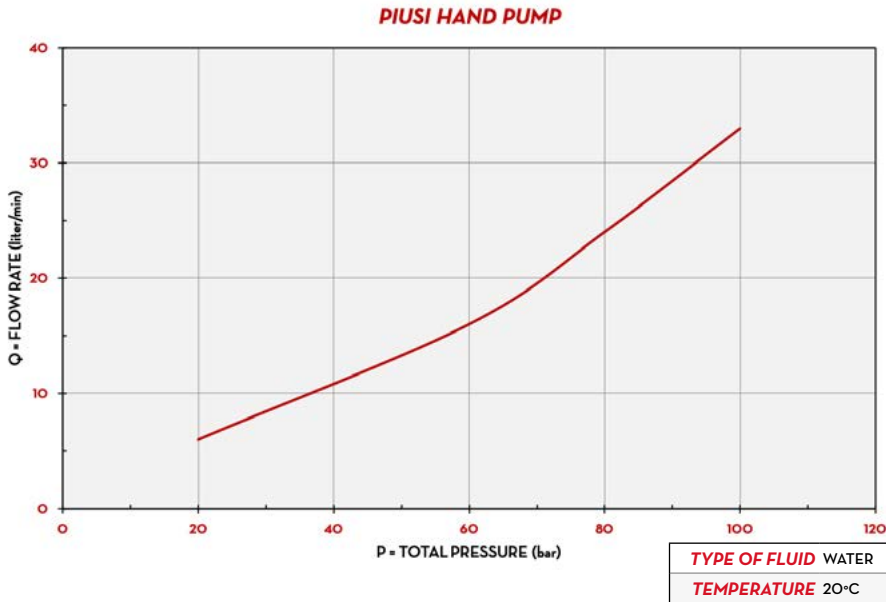


WATER



WINDSCREEN

CHART



IN THE BOX

- PIUSI HAND PUMP
- DRUM CONNECTOR
- SUCTION PIPE
- DELIVERY HOSE
- INSTRUCTION MANUAL

DETAILS



DRUM CONNECTOR

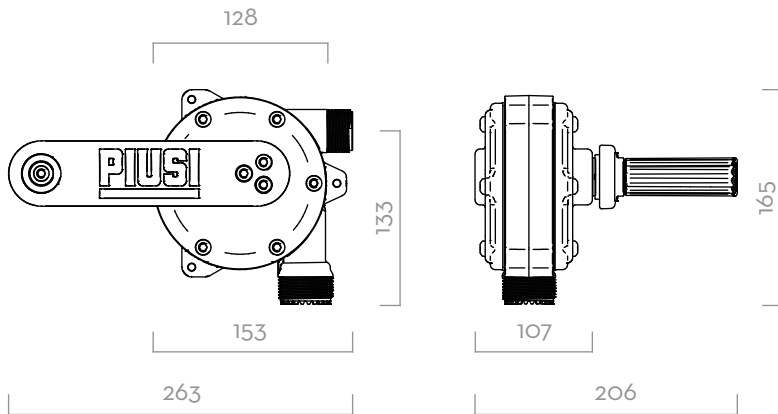


SUCTION PIPE



STAINLESS STEEL SPOUT

DIMENSIONS



Dimensions expressed in millimeters

MATERIALS

- BODY: STAINLESS STEEL/TECHNOPOLYMER
- ROTOR: TECHNOPOLYMER
- VANES: TECHNOPOLYMER

TECHNICAL DATA

CODE	DESCRIPTION	FLUIDS TYPE	3D FILTER INCLUDED	CAPACITY PER 100 REVOLUTIONS		DRUM CONNECTOR	SUCTION TUBE	DELIVERY HOSE LENGHT
				L	USG			M
WITHOUT HOSE								
FO0332A0A	PIUSI HAND PUMP 56X4	Ad A W	NO	38	10	56X4	YES	-
FO0332A1A	PIUSI HAND PUMP UREA 2" BUT.	Ad A W	NO	38	10	2" BUTTRESS	YES	-
FO0332A4A	PIUSI HAND PUMP UREA 2" BSP	Ad A W	NO	38	10	2" BSP	YES	-
FO0332A6A	PIUSI HAND PUMP UREA 70X6	Ad A W	NO	38	10	70X6	YES	-
WITH HOSE								
FO0332A2A	PIUSI HAND PUMP UREA 56X4 W/HOSE	Ad A W	NO	38	10	56X4	YES	2,5
FO0332A8A	PIUSI HAND PUMP UREA 2" BUT. W/H F	Ad A W	YES	38	10	2" BUTTRESS	YES	2,5
FO0332A5A	PIUSI HAND PUMP UREA 2" BSP W/HOSE	Ad A W	NO	38	10	2" BSP	YES	2,5
FO0332A7A	PIUSI HAND PUMP UREA 70X6 W/HOSE	Ad A W	NO	38	10	70X6	YES	2,5
FO0332A9A	PIUSI HAND PUMP UREA 56X4 70X6 2"BSP W/H	Ad A W	NO	38	10	2" BSP	YES	2,5

PIUSI HAND PUMP