



KITS



PUMPS



METERS



METERED NOZZLES



NOZZLES



WASTE OIL EQUIPMENTS

# CAMBIAOLIO

## FEATURES

- IDEAL FOR SMALL WORKSHOPS
- COMPRESSED AIR NOT REQUIRED
- 6 SUCTION PROBES INCLUDED
- VERSATILE
- VACUUM INDICATOR
- 5 METERS OF CABLE
- GRADUATED COLLECTION TANK
- EASY TO EMPTY

The CAMBIAOLIO is the traditional offer that PIUSI provides for a perfect oil change without the need of compressed air. This small device comes on a trolley that makes it transportable everywhere.

### PERFORMANCE

UP TO

**10L**

TANK CAPACITY

**AC/DC**

VOLTAGE

POWER

BELOW

**70DB**

NOISE LEVEL\*\*



CAMBIAOLIO

### PACKAGING

| CODE      | WEIGHT |     | PACKAGING   |                |            |         |
|-----------|--------|-----|-------------|----------------|------------|---------|
|           | KG     | LBS | MM          | INCH           | PCS/PALLET | PCS/BOX |
| FO05000B  | 19,5   | 43  | 600X290X300 | 23,6X11,4X11,8 |            | 1       |
| OO050006A | 19,5   | 43  | 600X290X300 | 23,6X11,4X11,8 |            | 1       |



FILTRATION



FLUID MONITORING



TANK MONITORING



HOSE REELS



ACCESSORIES



MERCHANDISE

INDEX



AIR



ANTIFREEZE



AdBlue®



BIODIESEL



DIESEL



FOOD



GASOLINE



GREASE



KEROSENE



OIL

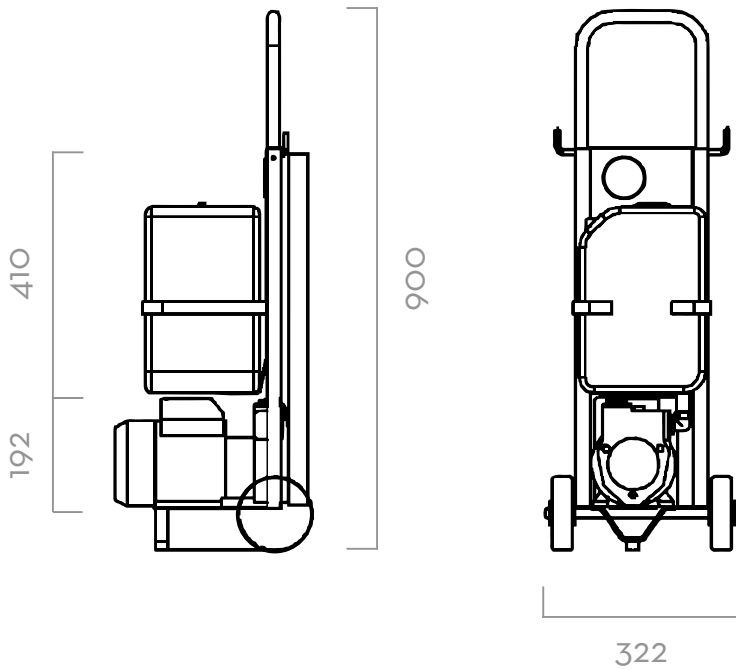


WATER



WINDSCREEN

### DIMENSIONS



Dimensions expressed in millimeters

### IN THE BOX

- CAMBIAOLIO
- INSTRUCTION MANUAL

### DETAILS



### MATERIALS

- PUMP BODY: CAST IRON
- PUMP GEARS: BRONZE
- SHAFT: STEEL

### TECHNICAL DATA

| CODE      | DESCRIPTION             | FLUIDS TYPE | FLOW RATE |           | VOLTAGE             |            |           | TANK  |     |
|-----------|-------------------------|-------------|-----------|-----------|---------------------|------------|-----------|-------|-----|
|           |                         |             | L/MIN     | GPM       | AC V./HZ<br>DC VOLT | POWER WATT | AMP. MAX. | LITER | GAL |
| FO050000B | CAMBIAOLIO M            |             | 2 - 10    | 0,5 - 2,5 | 230/50-60           | 350        | 2         | 10    | 3   |
| OO050006A | CAMBIAOLIO 120V / 60 HZ |             | 2 - 10    | 0,5 - 2,5 | 120/60              | 1200       | 12,7      | 10    | 3   |

# CAMBIAOLIO

ELECTRIC OIL DRAINERS

121