



CUBE MC

FEATURES

- MULTI-USER MANAGEMENT
- ALL-IN-ONE EQUIPMENT
- COMPACT DESIGN
- COMPATIBLE WITH SSM AGILIS SOFTWARE
- SUCTION FILTER
- IP55

The PIUSI CUBE MC is the upgraded version of the world famous CUBE dispenser equipped with an electronic panel able to manage up to 250 users and 255 transactions. The sturdy structure includes a self-priming vane pump, built-in bypass, automatic nozzle, and integrated nozzle holder with start/stop pump lever.

PERFORMANCE

UP TO
70 L/MIN

FLOW RATE

AC/DC
VOLTAGE

POWER

± 0,5%

ACCURACY

UP TO
250

USERS



CUBE 70 MC



CUBE 70 MC WITH PEDESTAL (OPTIONAL)

PACKAGING

CODE	WEIGHT		PACKAGING			N. BOXES / EUROPALLET	
	KG	LBS	MM	INCH	PCS/BOX		
FO059415D	25	55	400X400X460	-	1	12	24
FO059400E	25	55	400X400X460	-	1	12	24
FO059423D	25	55	400X400X460	-	1	12	24
FO059422B	25	55	400X400X460	-	1	12	24
FO059413D	25	55	400X400X460	-	1	12	24
FO059414D	25	55	400X400X460	-	1	12	24



FILTRATION



TANK MONITORING



HOSE REEL



ACCESSORIES



MERCHANDISE

HS
ANY BIODIESEL

A
AIR

A
ANTIFREEZE

Ad
AdBlue®

B
BIODIESEL

D
DIESEL

F
FOOD

G
GASOLINE

G
GREASE

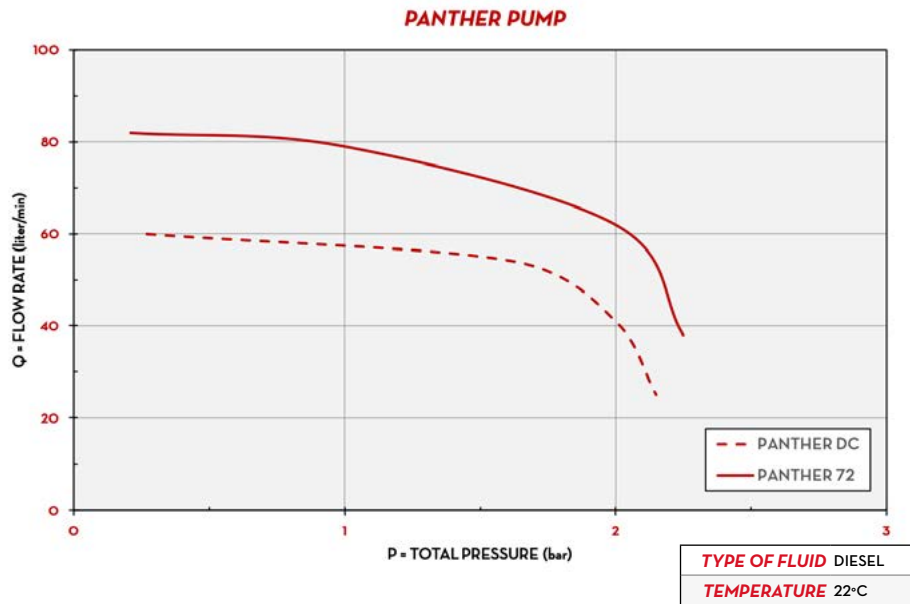
K
KEROSENE

O
OIL

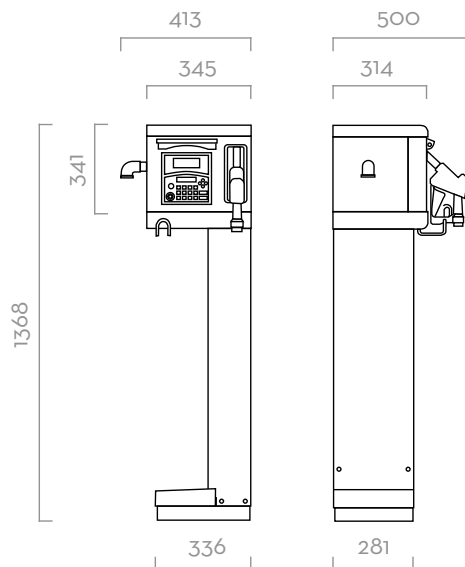
W
WATER

W
WINDSCREEN

CHART



DIMENSIONS



Dimensions expressed in millimeters

IN THE BOX

- CUBE MC DISPENSER
- AUTOMATIC NOZZLE
- DELIVERY HOSE
- INSTRUCTION MANUAL

DETAILS



MATERIALS

- **PUMPS:**
 PANTHER AC PAG. 100
 PANTHER DC PAG. 116
- **METER:**
 K600/3 PAG. 136
- **NOZZLE:**
 AUTOMATIC NOZZLE PAG. 160

TECHNICAL DATA

CODE	DESCRIPTION	FLUIDS TYPE	FLOW RATE		VOLTAGE			PUMP	METER	NOZZLE	FILTER	INLET	HOSE		PC		USERS
			L/MIN	GPM	AC V./HZ DC VOLT	POWER WATT	AMP. MAX.						LENGTH	Ø	CONNECTION	N.	
FO059415D	CUBE 70 MC 230V/50HZ 250U AGILIS	D	70	18	230/50	800	3.9	PANTH 72	K600	A60	NO	1"	4M	1"	SI	250	
FO059400E	CUBE 70 MC 230V/50HZ 80U AGILIS	D	70	18	230/50	800	3.9	PANTH 72	K600	A60	NO	1"	4M	1"	SI	80	
FO059423D	CUBE 70 MC 120V/60HZ 250U AGILIS	D	60	15	120/60	550	5	PANTH 72	K600	A60	NO	1"	4M	1"	SI	250	
FO059422B	CUBE 70 MC 12V 250U AGILIS	D	60	15	12	420	35	PANTH DC	K600	A60	NO	1"	4M	1"	SI	250	
FO059413D	CUBE 70 MC 12V 80U AGILIS	D	60	15	12	420	35	PANTH DC	K600	A60	NO	1"	4M	1"	SI	80	
FO059414D	CUBE 70 MC 24V 80U AGILIS	D	70	18	24	600	25	PANTH DC	K600	A60	NO	1"	4M	1"	SI	80	

UPON REQUEST IT IS AVAILABLE WITH DIFFERENT VOLTAGES AND 60 HZ FREQUENCY